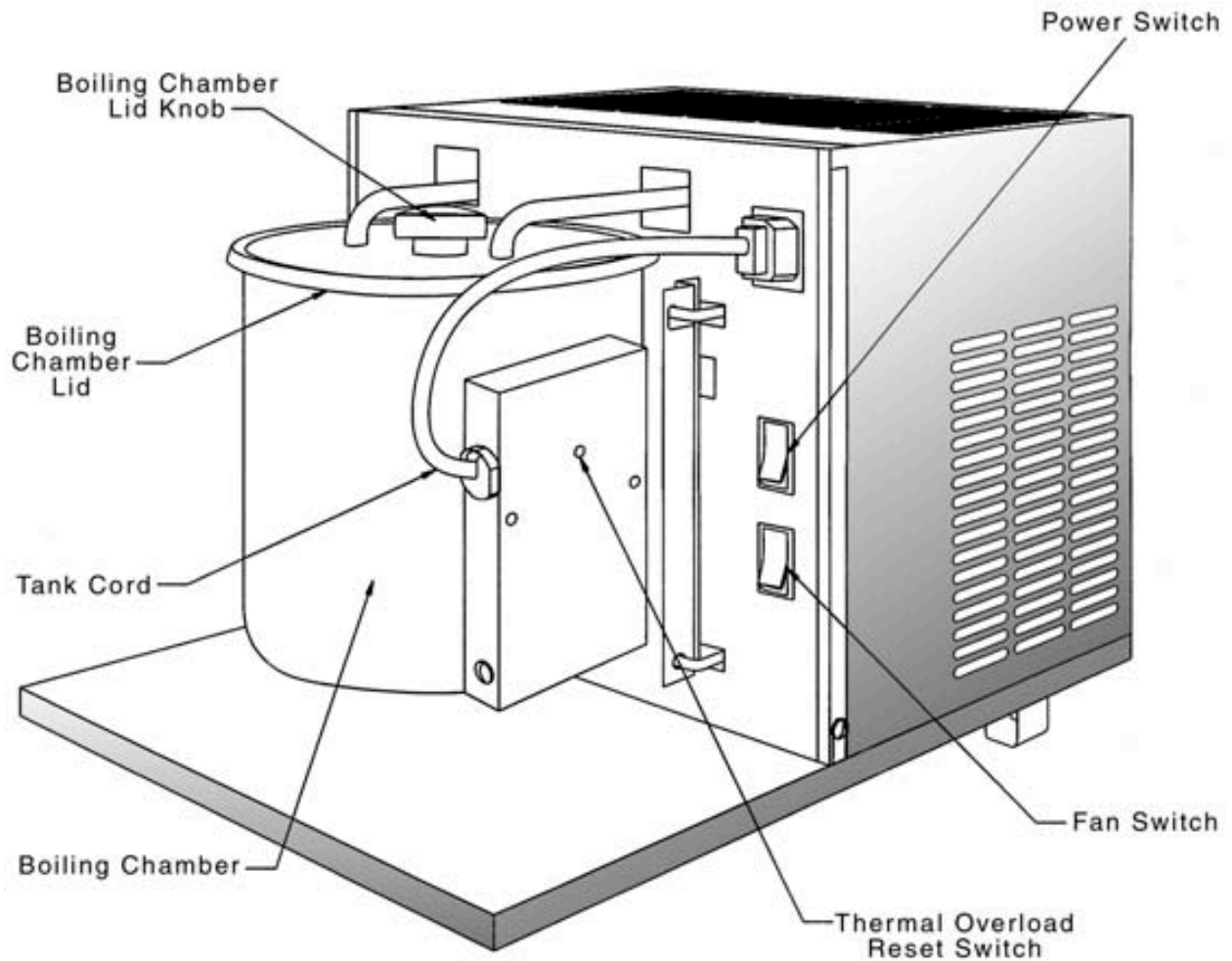




10556 - 115 Street  
Edmonton, Alberta  
Canada T5H 3K6

[www.homewatersystems.ca](http://www.homewatersystems.ca)  
[homeh2o@telus.net](mailto:homeh2o@telus.net)

# A30D Dol-Fyn Distiller Customer Manual



Your distiller has been designed to require minimal maintenance. The exterior of the distiller and reservoir tank may be wiped with a soft cloth or sponge dampened with warm soapy water. A commercial glass or stainless steel cleaner may be used to maintain the luster of the exterior. Care should be taken so no cleaners used on the exterior can find their way in the reservoir tank.

***Periodic cleaning of the boiling chamber is essential to the efficient operation of your distiller.*** Because local water quality varies from place to place, your cleaning schedule may vary from once or twice per month to once every three months. It is suggested that you check the boiling chamber after the first week of use and once per week thereafter, until you determine the cleaning schedule that is right for you. The boiling chamber should be cleaned when you see accumulated mineral deposits and debris collected in the chamber --- visible proof that your distiller is removing unwanted water contaminants.

Connecting your distiller to a softened water supply can greatly reduce the need for boiler cleaning.

***Follow these easy steps to clean your distiller:***

### ***THE BOILING CHAMBER***

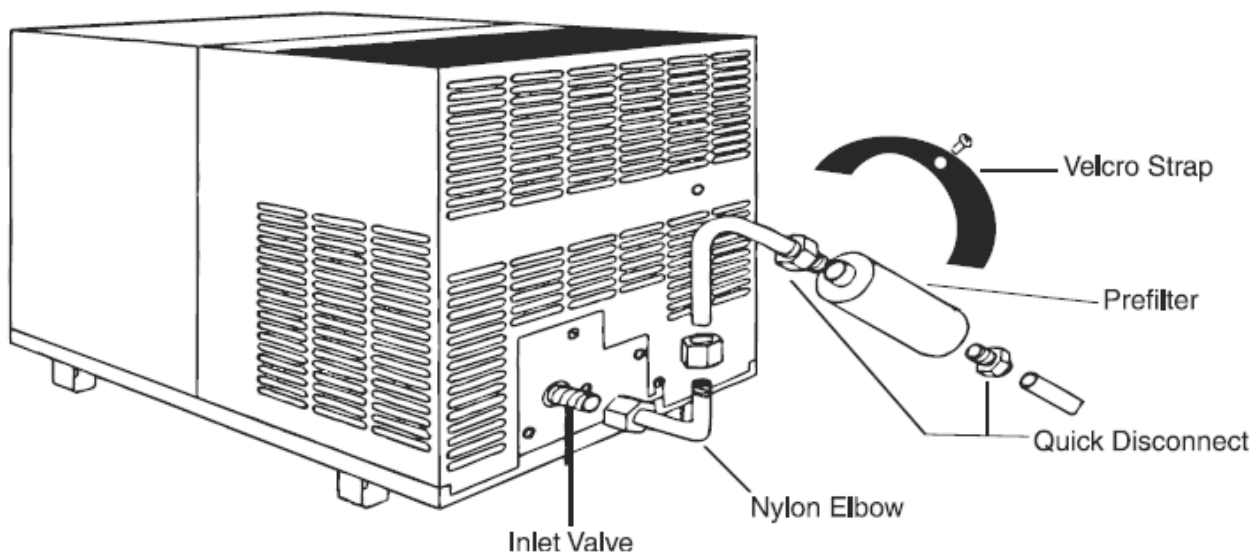
1. Turn both the POWER and FAN switches to the OFF position, and then unplug the distiller cord from the outlet. Allow the unit to cool completely before handling (approximately three hours).
2. When the unit is cool, unplug the boiling chamber power cord from the receptacle, remove the lid cover knob and detach the lid from the boiling chamber. Lift the chamber off of the bracket.
3. Remove the rubber gasket from the boiling chamber. Clean the gasket with a mild detergent, rinse and dry thoroughly.

4. Dispose of the water and residue from the boiling chamber and wipe with a cloth and clean water. ***To avoid risk of electrical shock, do not immerse the boiling chamber in water or any other liquid for cleaning.***
5. Clean the boiling chamber by combining two cups of white vinegar and enough warm water to fill the boiling chamber. Allow this solution to sit in the chamber for at least six hours, or preferably overnight. The reusable Westbend Distiller DESCALER may be used in place of the vinegar following manufacturer's instructions. It contains a special blend of acids and detergents.
6. Dispose of the cleaning solution and rinse the boiling chamber thoroughly with clean water. ***DO NOT IMMERSE.*** If stubborn scale deposit remain they may be removed with a DESCALER , or with a nylon scouring pad. Then wipe the boiling chamber thoroughly with a cloth and clean water. Do not tap on the heating element to remove deposits. Tapping on the heater may damage it.
7. Replace the gasket on the boiling chamber and reassemble to the distiller unit, tightening the lid with the lid cover knob. Plug the boiling chamber power cord into the receptacle and then plug the distiller back into the wall outlet. Your distiller is now ready to continue providing you with clean distilled water.

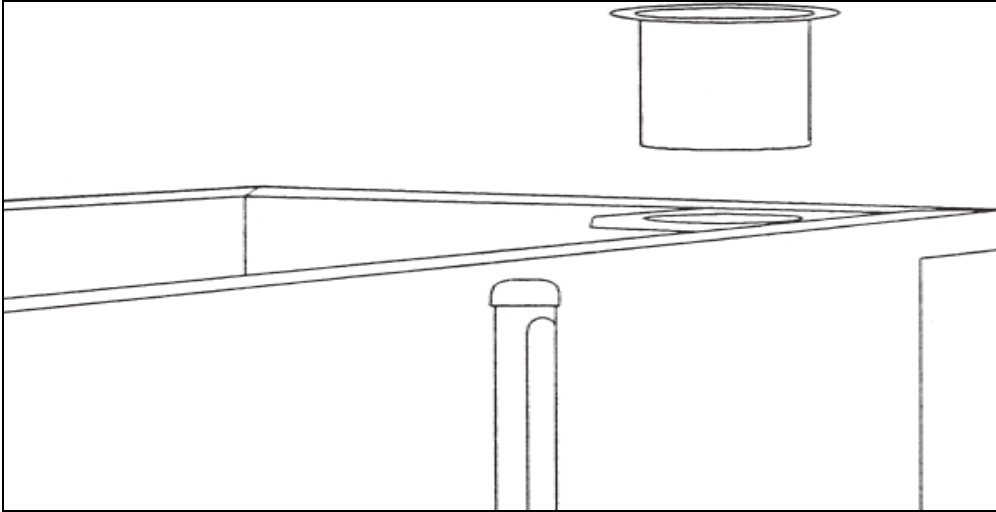
## THE PRE FILTER

This cylinder shaped filter is mounted on the side or rear of the distiller. It is connected to  $\frac{1}{4}$  inch water line. This filter needs to be changed once a year. Because local water quality varies from place to place, you may have to change it more often.

- 1) Turn off the water supply at the needle valve, also known as a saddle valve. Remove filter connectors and replace filter. NOTE: On the filters you will find either the words IN and OUT or an arrow for the direction of the water flow.



## **POST CARBON FILTER CUPS**



This filter is located inside the reservoir at the back right hand side. This filter should be changed every 2 to 3 months, because local water quality varies from place to place, you may have to change it more often.

**NOTE:** *The effective life of the post carbon filter will vary depending on the amount of distilled water your family uses. If you notice a change in the taste of the distilled water, clean the reservoir and replace the post carbon filter cup.*

- 1) Turn off the distiller.
- 2) Lift the distiller off the reservoir and turn it 90 degrees so that it rests sideways on the reservoir exposing the filter.
- 3) Remove the old cup and dispose.
- 4) Take the new cup and remove plastic cover on base of filter. Rinse with water to release any loose carbon dust.
- 5) Drop into slot in reservoir.
- 6) Replace distiller head.

**NOTE:** When replacing the distiller on the reservoir, be sure the float is free and not caught on the edge of the filter cup.

## ***THE RESERVOIR***

The higher the room temperature, the more often the reservoir should be cleaned; however, the reservoir should be cleaned at least two times per year. To clean the reservoir, empty any water and clean with either a paste of baking soda and water or by putting straight vinegar on a cloth and wiping out the inside of the reservoir. **NOTE:** When cleaning the reservoir you must do one of two things.

1. Set aside 3 to 4 gallons of distilled water to be replaced after cleaning.

OR

2. Turn off your pump until your distiller has produced 3 to 4 gallons of water in the reservoir.

**NOTE:** If there is no water in your reservoir, your pump will continue to run which may cause the pump to burn out.

## ***DEMAND PUMP***

No customer maintenance is required for the pump system however; customers should know how the system works. The pump has a sensor that allows it to turn on and off depending on the water pressure in the line between the pump and the tap. When the tap is being used the pressure drops and the pump then kicks in, giving an immediate stream of water. If the pump runs dry due to an empty reservoir, damage to the pump may occur.

## ***COOLING/ CONDENSING COIL***

For routine cleaning of the cooling coil, you need only loosen three screws and lift the back-vented cover to expose all internal components for cleaning. Please make sure the distiller is turned off at this point. The cleaning takes a few minutes and the distiller need not be moved.

The cooling coil should be checked every 3 months for lint and dirt that forms on the underside of the coil which in turn effects the cooling process. NOTE: If you notice condensation running down the outside of your reservoir, it is an indication that your coil is dirty and is not cooling properly.

Vacuuming it out or blowing it out with an air compressor may clean the coil. You may also remove it and rinse it under a tap.

Other than the above-mentioned procedures, your distiller will run effectively for years and years to come. It is a good idea however to have our technicians do a thorough cleaning and maintenance check on your unit every 2 to 3 years.

Please enjoy your distiller and all the benefits that come with it. We are confident you will be nothing less than satisfied with your choice to own a Dol-Fyn Distiller.

You had a choice and you chose US!

## TROUBLE SHOOTING GUIDE

<b>PROBLEM</b>	<b>POSSIBLE CAUSE</b>	<b>SOLUTION</b>
<i>Distiller will not operate</i>	POWER switch is not in the ON position	Make sure that the POWER switch is in the ON position and that the unit is plugged into the wall outlet
	Boiling chamber not seated properly on tank bracket	Reinstall boiling chamber on tank bracket and make sure that it moves freely up and down
	Float in reservoir is in the UP position.	Draw sufficient water out of the reservoir to activate the float switch.
		Make sure that the float rod is not lodged in its recessed shipping position.
<i>Fan does not operate.</i>	FAN switch is not in the ON position	Make sure that the FAN switch is in the ON position.
<i>Heating element does not work.</i>	Unit not plugged in to wall outlet	Make sure that the unit is plugged in to the wall outlet.



	Boiling chamber power cord not plugged in.	Ensure that boiling chamber power cord is plugged into receptacle, then push the thermal overload reset switch on the side of the boiling chamber.
	Thermal overload switch needs resetting.	Press thermal overload switch reset button on side of boiling chamber.
<i>Distilled water has an unusual taste.</i>	The carbon filter is contaminated.	Replace the pre and post carbon filters.
	The reservoir needs cleaning.	Clean the reservoir following the instructions on page 6.